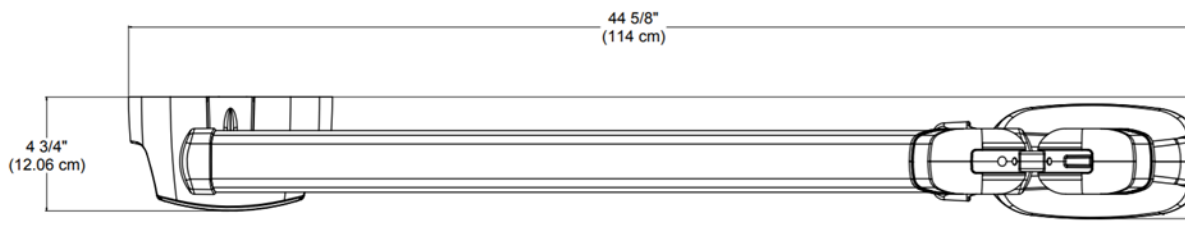
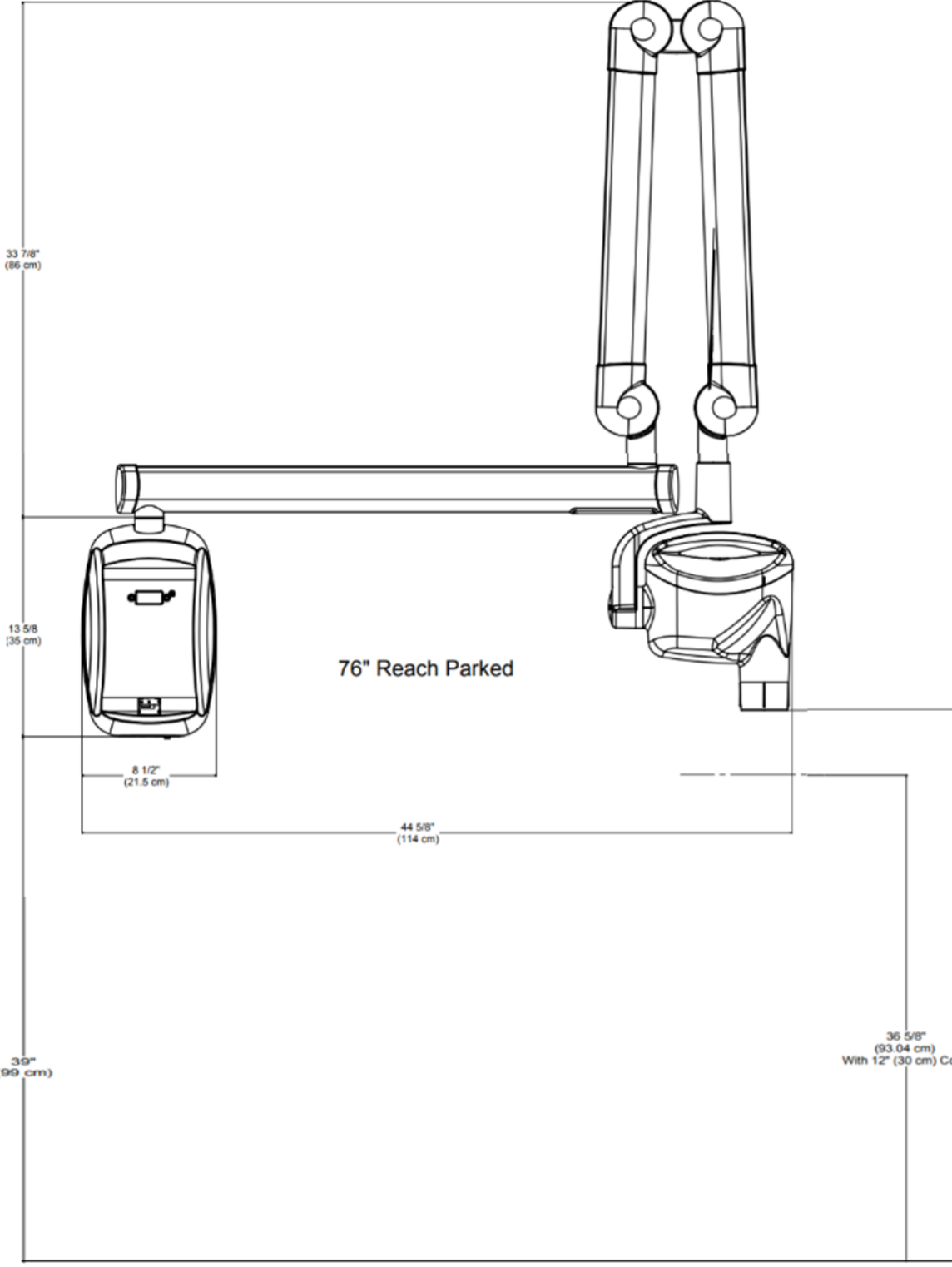


**PRAIRIE STATE COLLEGE**  
**Office of Finance and Administration**

**Bid Specifications: Intraoral X-Ray System**

Item #	Specifications	Quantity	Unit Cost	Total Cost
1	Intraoral X-ray System	4		
	<p>Must meet all the following specifications:</p> <ul style="list-style-type: none"> <li>● P7017-P Preva DC X-ray with wall plate</li> <li>● Installation of X-ray system</li> <li>● Line Voltage: 100-230 VAC +/- 10% 50 or 60 Hz</li> <li>● Line Load: Maximum current 5 amps</li> <li>● Tube Potential: 60, 65 or 70 kVp</li> <li>● Tube Current: 4, 5, 6 or 7 mA +/- 1 mA</li> <li>● Exposure Time: 20 ms to 2 seconds</li> <li>● Cone Length: 20 cm (8 inches)</li> <li>● Minimum Inherent Filtration: 2 mm Al equivalent @ 70 kVp</li> <li>● Focal Spot: 0.4 mm (IEC 336)</li> <li>● Duty Factor: 1:15</li> <li>● Shipping Weight: 94 lbs</li> <li>● Applicable Documents Federal Regulations: 21 CFR, UL, CE 0120</li> <li>● Warranty: 2 Years, Limited</li> <li>● Options available: <ul style="list-style-type: none"> <li>○ Exposure hand switch</li> <li>○ 12" Cone</li> <li>○ 8" Rectangular cone</li> <li>○ Choice of 56", 66", 76" or 82" (total reach)</li> <li>○ Two stud mounting plate</li> <li>○ Metal stud mounting plate</li> </ul> </li> <li>● LCD control panel display with large icons</li> <li>● Dual-arm braking system (to prevent sagging or drifting)</li> <li>● Ergonomic: designed for effortless movement and fast one-handed positioning</li> </ul> <p>Additional Specifications see Images:</p>			



Delivery: **Within 30 days of bid award**

FOB: Prairie State College, 202 S. Halsted St., Chicago Heights, IL 60411

Company Name: \_\_\_\_\_

Signature: \_\_\_\_\_

Phone Number: \_\_\_\_\_ Date: \_\_\_\_\_